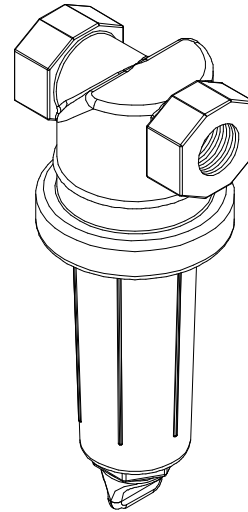
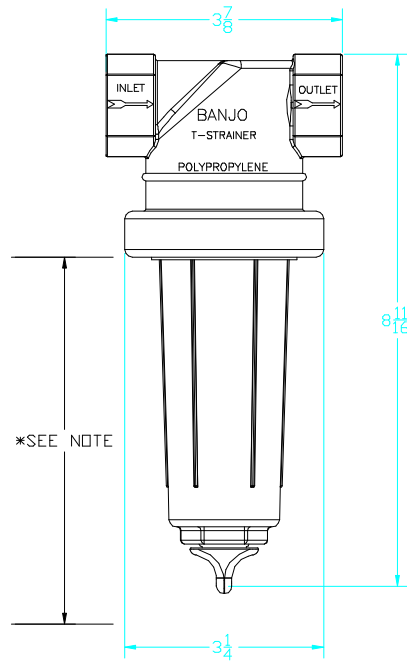
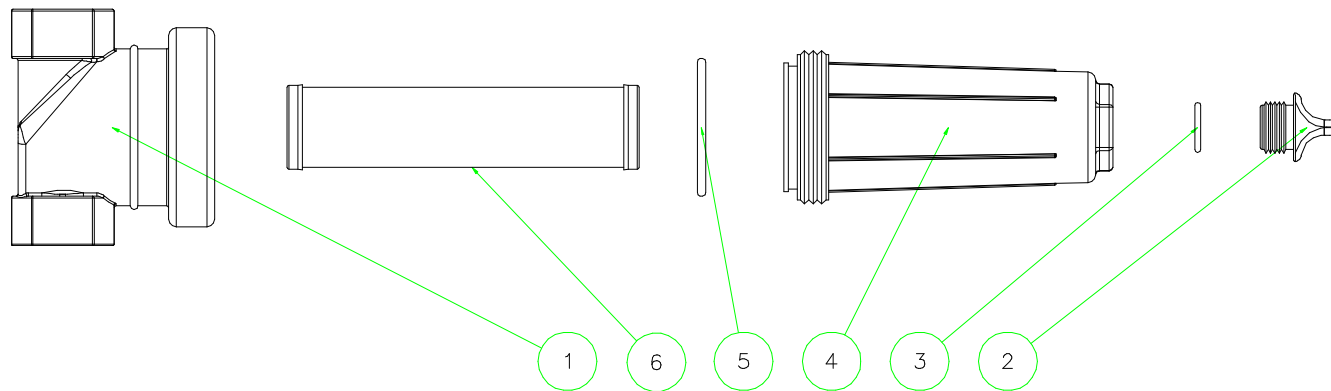


*NOTE:
 ADDITIONAL CLEARANCE REQ'D
 FOR SCREEN REMOVAL: 5 3/4"



Parts List			
Item	Qty	Part No.	Description
1	1	LST075H	"T" STRAINER HEAD
2	1	12777	DRAIN PLUG
3	1	UV15163	PLUG O-RING
4	1	LST100B	"T" STRAINER BODY
5	1	LST100G	BODY O-RING EPDM
6	1	LST150	T STRAINER SCREEN



BANJO CORPORATION
 150 BANJO DR. * CRAWFORDSVILLE, IN 47933

PART NO. LST075-50

TITLE
 "T" STRAINER ASSEMBLY W/ #50 MESH SCREEN

THIS DRAWING AND ALL INFORMATION
 CONTAINED THEREIN ARE THE EXCLUSIVE
 PROPERTY OF BANJO CORPORATION.
 UNLESS SPECIFICALLY NOTED, THIS
 DRAWING AND ITEMS SHOWN ON THIS
 DRAWING ARE SUBJECT TO CHANGE
 AT ANY TIME.